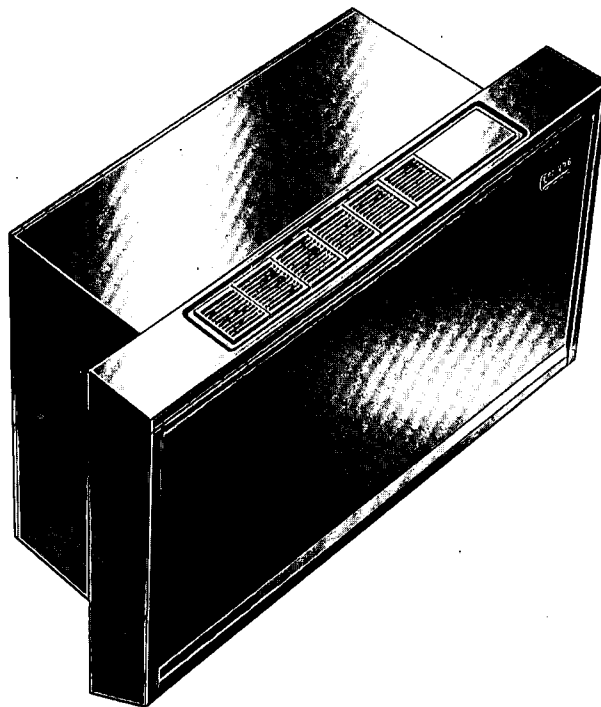


LENNOX® ALL-SEASON APARTMENT HOUSE UNIT WALL MOUNTED — PT SERIES

9,000 to 15,000 Btuh DX Cooling
 2-1/2 to 5 Kw Electric Heat
 16,000 Btuh Hot Water Heat
 22,000 Btuh Steam Heat

- Compact Unit, Heats—Cools—Vents
- Heat Source Choice
- Separate Insulated Wall Sleeve
- Full Refrigerant Charge
- Easy Low Cost Installation
- Convenient Control Panel
- Integral Thermostat
- Thick Thermal-Accoustical Insulation
- Ordering Flexibility
- Adjustable Supply Air Grilles
- Large Cleanable Air Filter
- Optional Duct Extensions

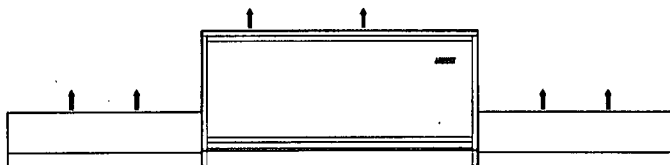


Low Cost Individual Units For The Apartment House Market

Now from one easily installed and individually controlled single package unit comes a Total Comfort system for the apartment house, hotel or motel market. The compact package includes a complete DX air conditioning system (condensing and evaporator units) with a powerful supply air blower, choice of electric, hot water or steam heat, cleanable air filter and a fresh air damper. The equipment can also be ordered for cooling only applications. The integral control panel includes a heating-cooling thermostat, system selector switch, blower speed selector and an outdoor air (fresh air) adjuster. Unique internal design features accomplish condensate elimination. Safety overflow drain connection is required. Discharge louvers are easily rotated to give a choice of air pattern.

Optional Supply Air Duct

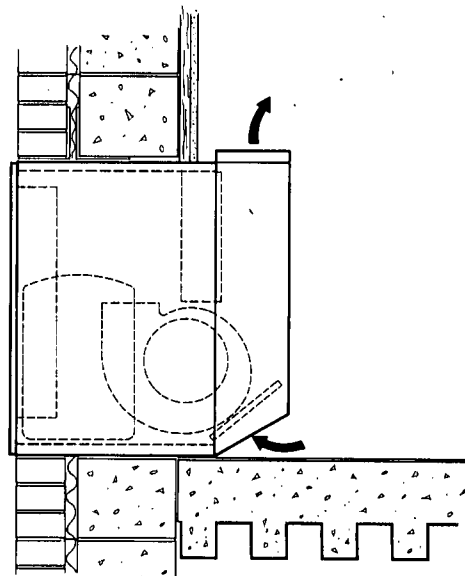
Supply duct sections (4" x 10") are available as optional equipment. Each section is 3 ft. long and several sections can be connected to deliver supply air along the entire outside wall of a room or even to an adjoining room. They can be easily connected to either or both sides of the installed PT unit.



NOTE: Specifications, ratings and dimensions subject to change without notice.

Easily Installed

The separate insulated wall sleeve is flashed into the outside wall. The air conditioning chassis then slides into the wall sleeve from the indoor side. Equipment can be installed flush, recessed or extended in relationship to the outdoor wall. Power supply and safety overflow condensate drain are the only field connections required for cooling only or cooling and electric heat models. Supply and return field piping connections are required for hot water or steam heat models. Equipment is shipped pre-charged and wired. Separate front assembly is easily mounted to the sleeve and chassis.



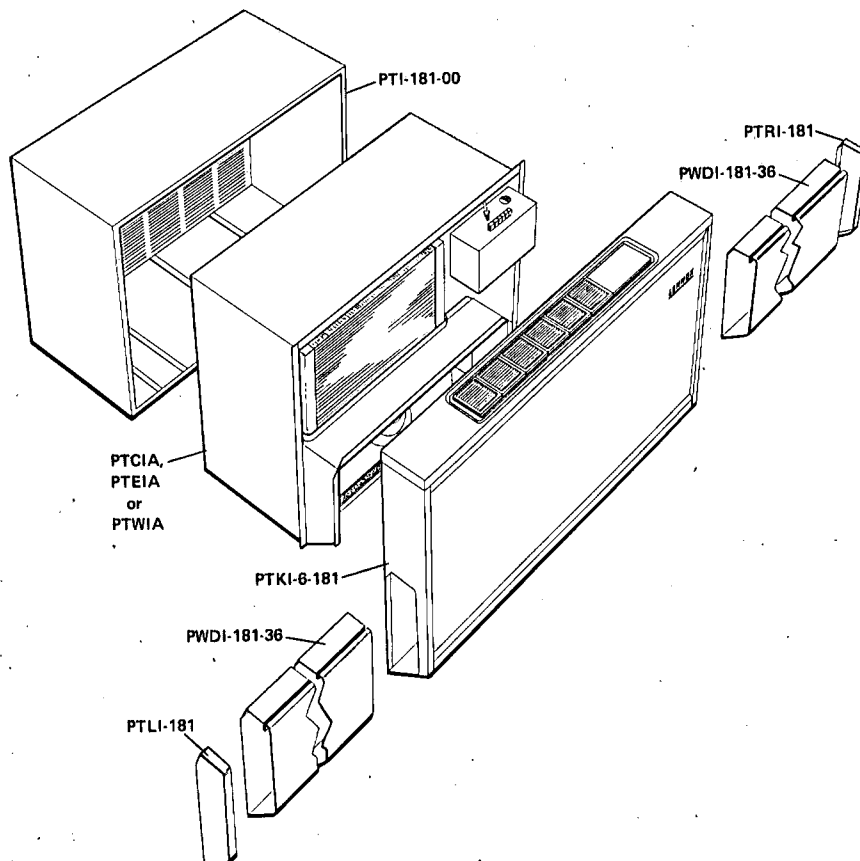
ORDERING DATA & SPECIFICATIONS

Chassis Model No.	Cooling only	PTCIA-121	PTCIA-151	PTCIA-181	
	Cooling and electric heat	PTEIA-121/8	PTEIA-151/12	PTEIA-181/17	
	Cooling and hot water or steam heat	PTWIA-121/22	PTWIA-151/22	PTWIA-181/22	
Wall sleeve model No.		PTI-181-00	PTI-181-00	PTI-181-00	
Front section model No.		PTKI-6-181	PTKI-6-181	PTKI-6-181	
3 ft. wall duct section		PWDI-36-181	PWDI-36-181	PWDI-36-181	
Wall duct end cap - right		PTRI-181	PTRI-181	PTRI-181	
Wall duct end cap - left		PTLI-181	PTLI-181	PTLI-181	
* Total cooling capacity (Btuh)		9,000	12,000	* 15,000	
Dehumidifying capacity		30%	30%	33%	
Electric heating capacity (Kw @ 240v)		2.5	3.5	5.0	
† Hot water heating capacity (Btuh)		-----	-----	16,000	
** Steam heating capacity (Btuh)		-----	-----	22,000	
Evaporator Blower	Wheel nom. diam. x width (in.)	8 x 6	8 x 6	8 x 6	
	Max. air volume (cfm)	330	380	460	
	Motor hp.	1/12	1/12	1/12	
Evaporator Coil	Net face area (sq. ft.)	1.53	1.53	1.53	
	Tube diam. (in.) & No. of rows	1/2-3	1/2-3	1/2-3	
	Fins per inch	10	10	13	
No. & size of supply air filters (in.)		(1) 7 x 30 x 1/2	(1) 7 x 30 x 1/2	(1) 7 x 30 x 1/2	
No. & size of outdoor air filters (in.)		3 1/2 x 11 3/4 x 1/2	3 1/2 x 11 3/4 x 1/2	3 1/2 x 11 3/4 x 1/2	
Hot Water or Steam Coil	Net face area (sq. ft.)	1.33	1.33	1.33	
	Tube diam. (in.) & No. of rows	1/2-1	1/2-1	1/2-1	
	Fins per inch	13	13	13	
	Plumbing Connections (in.)	Inlet	1/2 o. d.	1/2 o. d.	1/2 o. d.
		Outlet	1/2 o. d.	1/2 o. d.	1/2 o. d.
Condenser Coil	Net face area (sq. ft.)	2.78	2.78	2.78	
	Tube diam. (in.) & No. of rows	1/2-2	1/2-2	1/2-3	
	Fins per inch	13	13	13	
Condenser Blower	Wheel nom. diam. x width (in.)	(2) 7 1/2 x 5	(2) 7 1/2 x 5	(2) 7 1/2 x 5	
	Air volume (cfm)	800	800	800	
	Motor hp.	(2) 1/15	(2) 1/15	(2) 1/15	
Condensate safety overflow connection (in.)		3/4 MPT	3/4 MPT	3/4 MPT	

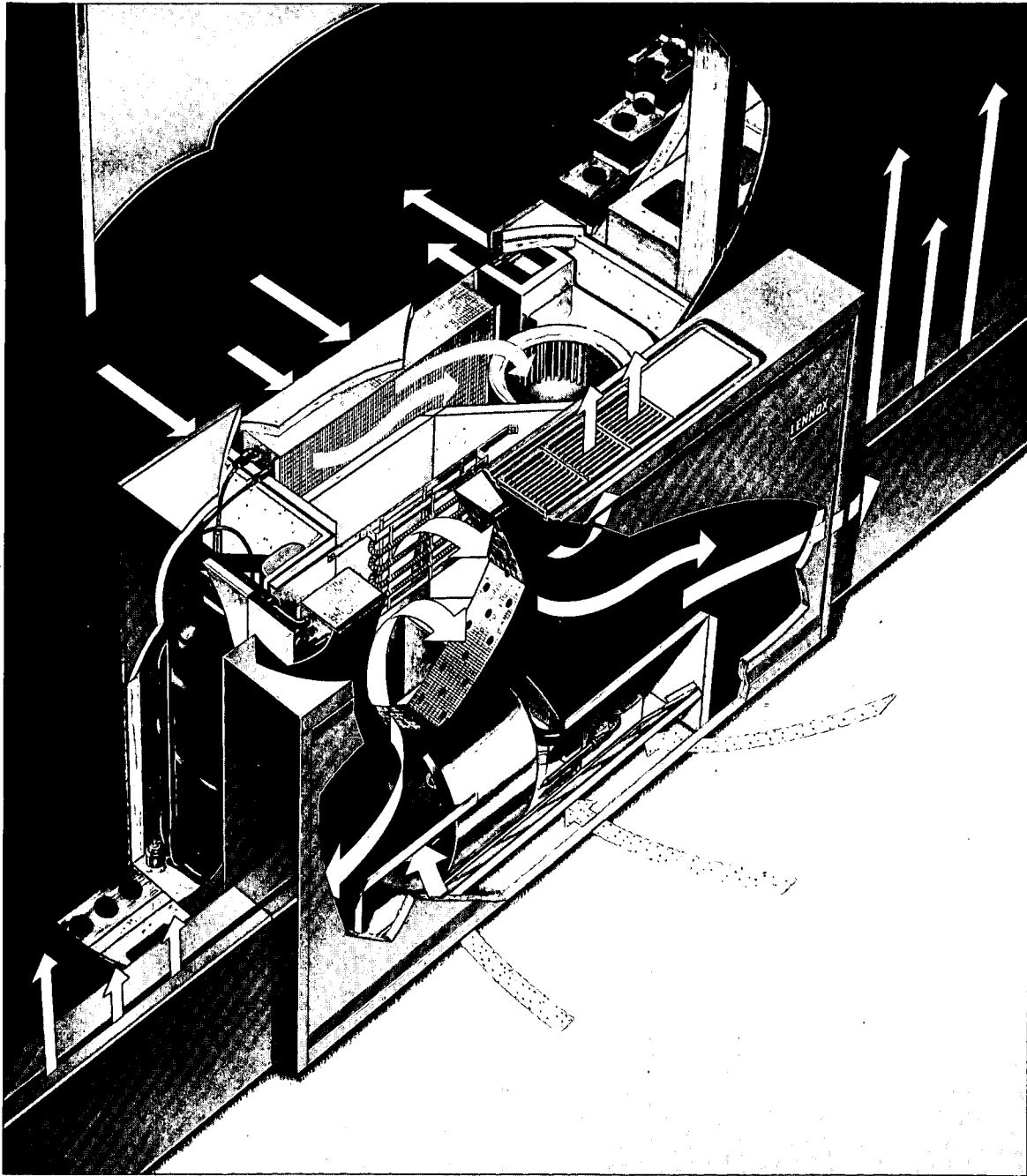
* At ARI Standard test conditions. 181 size models show 15,000 Btuh @ 230v; 208v models deliver 14,000 Btuh.

† With 200F entering water temperature, 2 gpm flow rate and 65F return air temperature.

** With 2 psi steam pressure and 65F return air temperature.



CUTAWAY VIEW OF INSTALLED COOLING AND ELECTRIC HEAT MODEL



FEATURES

Evaporation of Condensate—Condensation is pumped up and distributed across the top of the condenser coil where it trickles down through the coil and is evaporated by normal operation of the equipment. This method of condensate elimination also creates lower operating costs due to subsequent cooling of the condenser coil and entering outdoor air.

Adjustable Speed Blower—Statically and dynamically balanced insuring quiet and vibration-free operation. Equipped with a transformer speed controller which gives a choice of high or low speed. A manually operated blower speed selection switch is provided on the integral control panel.

Outdoor Air Damper—Manually adjusted with a control lever which is mounted on the integral control panel. Damper blade rides in nylon bearings. Outdoor air filter is furnished.

Integral Control Panel—Located under the hinged spring loaded access door on top of the PTKI front section. It includes a heating-cooling thermostat, system selector switch, blower speed selector and an outdoor air adjuster.

Complete Thermal Accoustical Insulation—The wall sleeve is lined with styrofoam insulation. The chassis is lined with a layer of felt and a layer of styrofoam which deadens any objectionable operating sounds. The separate PTKI front section is lined with fiberglass insulation which completely hushes air handling noise.

Baked Acrylic Finish—The galvanized wall sleeve assembly has a finish coat of baked-on outdoor acrylic enamel. The PTKI front assembly is furnished with a primer finish ready to receive a finish paint coat of any decorator color desired.

ELECTRICAL DATA

Model No.	PTCIA-121 PTEIA-121 PTWIA-121	PTCIA-151 PTEIA-151 PTWIA-151	PTCIA-181 PTEIA-181 PTWIA-181
Line voltage data	208-230v/60cy/1 ϕ	208-230v/60cy/1 ϕ	208-230v/60cy/1 ϕ
Unit operating range (volts)	197-253	197-253	197-253
Compressor	Full load amps	5.2	8.5
	Locked rotor amps	26.5	41.0
	Power factor	.92	.92
Condenser Blower Motors (2)	Full load amps (total)	2.4	2.4
	Locked rotor amps (total)	3.6	3.6
Evaporator Blower Motor	Full load amps	1.4	1.4
	Locked rotor amps	2.0	2.0
Electric heat amps (PTEIA)	10.4	14.6	20.8
Maximum unit amps	PTEIA	11.8	16.0
	PTCIA or PTWIA	9.0	12.3
Time delay fuse	PTEIA	20	25
Fusetron (amps)	PTCIA or PTWIA	15	20
AWG wire size	PTEIA	12	10
	PTCIA or PTWIA	14	12

NOTE—All fusing, disconnects and wiring must conform to NEC and local codes.

NET WEIGHT

Model No.	Lbs.
PTCIA-121	198
PTEIA-121/8	200
PTWIA-121/22	203

Model No.	Lbs.
PTCIA-151	208
PTEIA-151/12	210
PTWIA-151/22	213

Model No.	Lbs.
PTCIA-181	218
PTEIA-181/17	220
PTWIA-181/22	223

Model No.	Lbs.
PTI-181-00	55
PTKI-6-181	35
PWDI-36-181	10

DIMENSIONS (in.)

